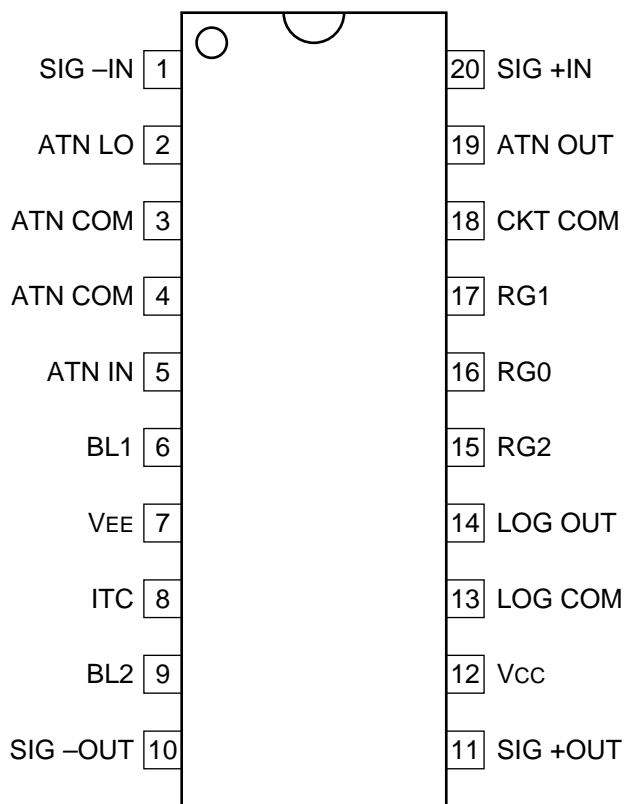


120MHz LOGARITHMIC AMPLIFIER

—TOP VIEW—

**INPUTS**

ATN IN : ATTENUATOR
 BL1, BL2 : BIAS LINE 1, 2
 SIG +IN, SIG -IN : SIGNAL

OUTPUTS

ATN COM : ATTENUATOR COMMON
 ATN LO : ATTENUATOR LOW
 ATN OUT : ATTENUATOR
 SIG +OUT, SIG -OUT : SIGNAL
 LOG COM : LOGARITHMIC COMMON
 LOG OUT : LOGARITHMIC

OTHERS

RG0 - RG2 : REGISTOR 0 - 2
 CKT COM : COMMON
 ITC : INTERNAL TEMPERATURE COMPENSATION

